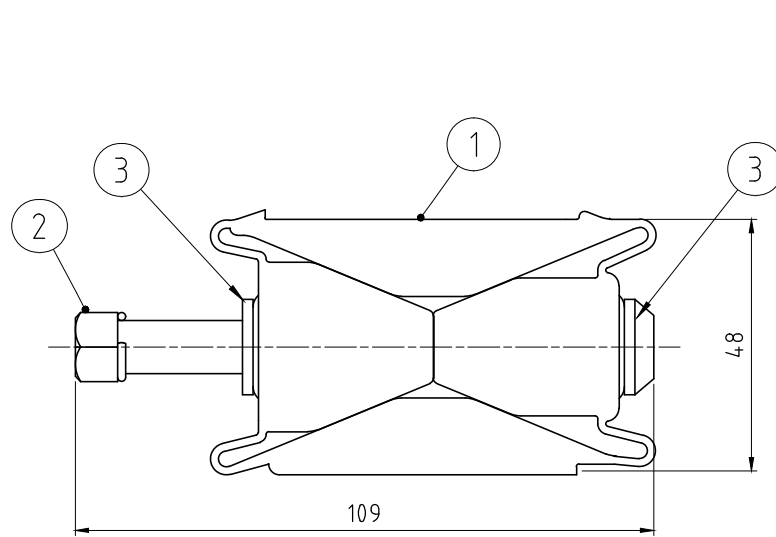


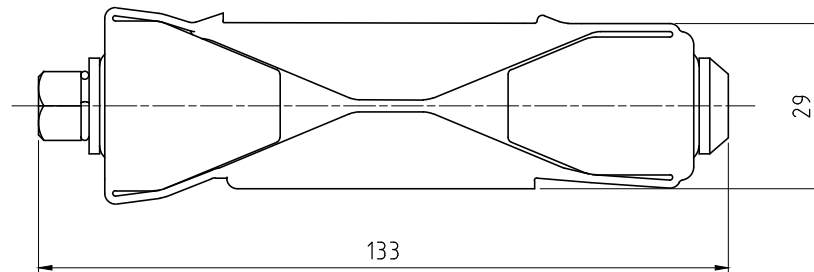
烙克赛克保留所有权利。未经授权严禁复制，  
使用以及向第三方泄露。

All rights reserved. Unauthorized reproduction, use  
or disclosure to third parties is strictly forbidden.

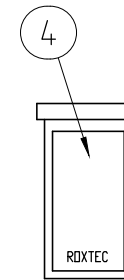
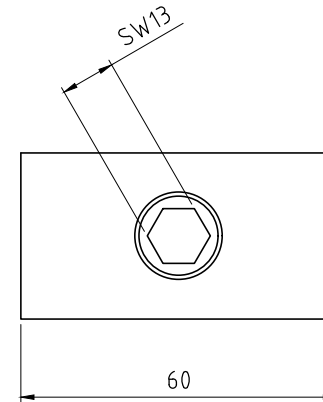
Rev 2.0



COMPRESSED



UNCOMPRESSED



ROXTEC WEDGE COMES IN TWO VERSIONS OF FASTENERS:  
GALVANIZED OR ACID PROOF STAINLESS STEEL

4	1	LUBRICANT	TALLOW 10ML	
3	2	FITTINGS	GALV. / ACID PROOF ST. STEEL	
2	1	SCREW	GALV. / ACID PROOF ST. STEEL	
1	1	WEDGE RUBBER	ROXYLON	
Item	Qty	Designation	Specification	Net Weight
General Tolerances used for manufacturing shown in document DOC-02280		Designed by se-joahel	Created Date 2003-11-03	Latest save date 2018-10-05
Format A3		Scale 1:1	Sheet no	Total Weight -
Title ROXTEC WEDGE WEDGE 60		Drawing number S1005547		Projection method 
www.roxtec.com		Information drawing		Rev C

C	LAYOUT CHANGED	2018-10-05	se-jenboh
Rev	Type of revision	Date	Sign

Information drawings show general design and nominal dimensions if not else stated